

# ASSEMBLY INSTRUCTION

## 7042-1821



A x1  
Spec:



B x8  
Spec:  $\varnothing 11.8 * \varnothing 10 * 1.11$



C x8  
Spec: 5/16\*45



D x8  
Spec:  $\varnothing 8 * \varnothing 14$



E x1  
Spec: 5#



F x4  
Spec:

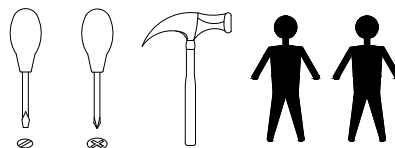


FIG. 1

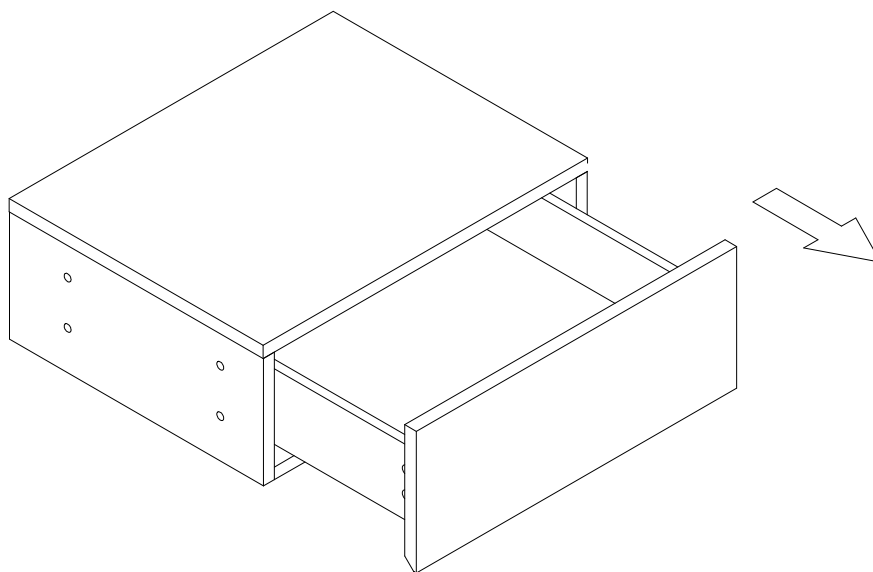
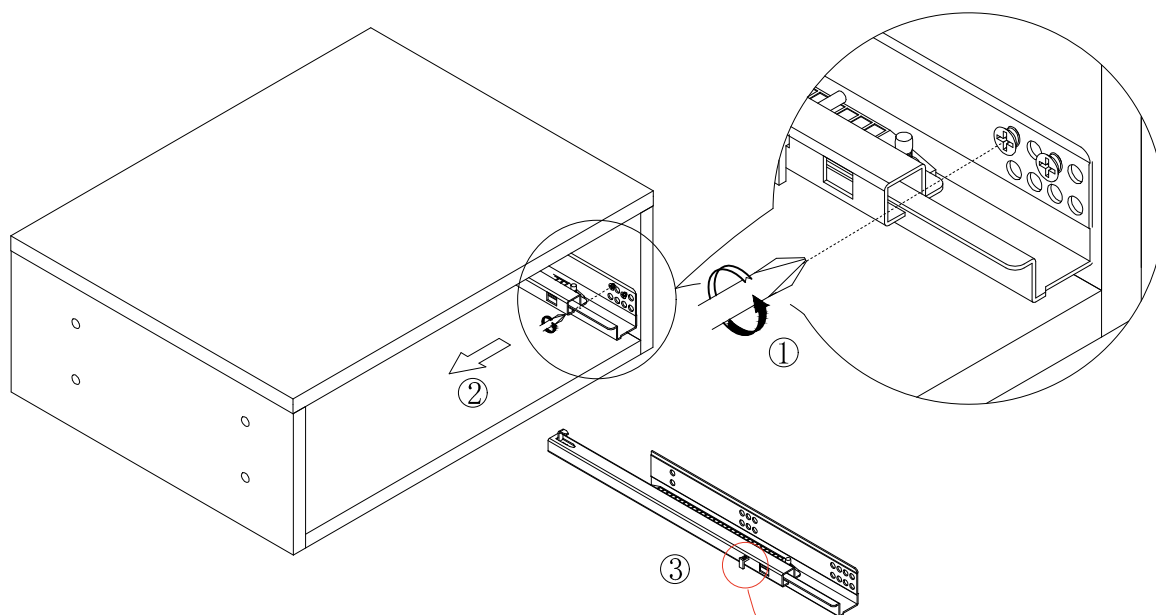
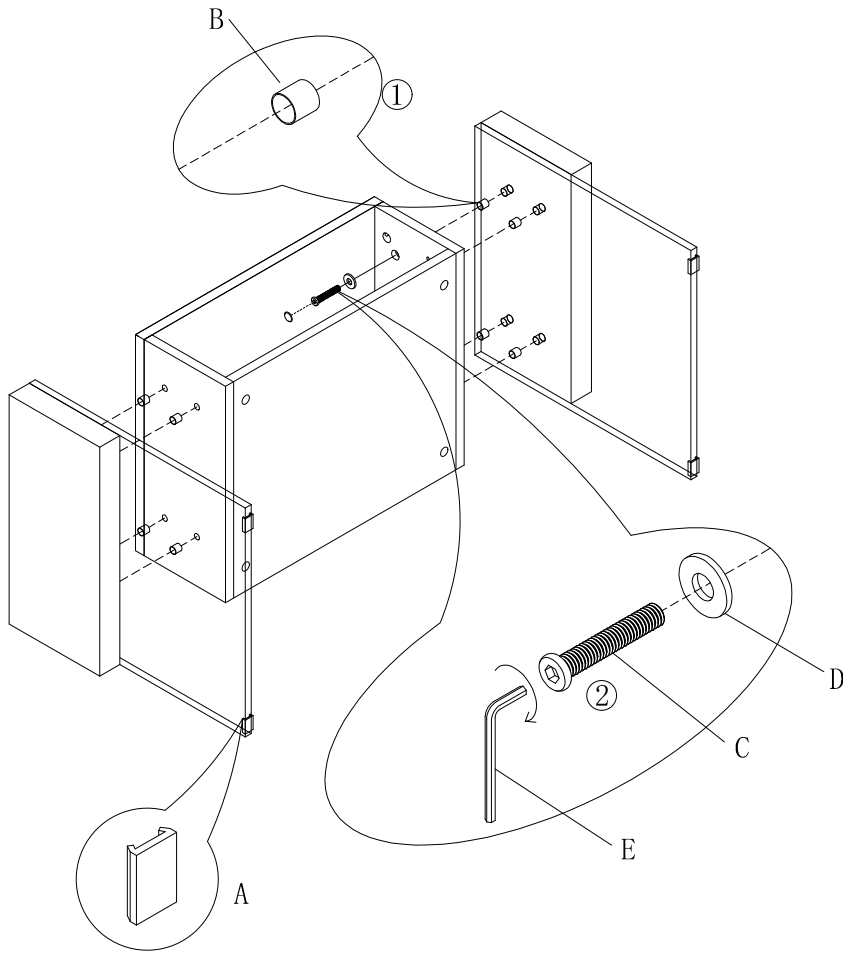


FIG. 2

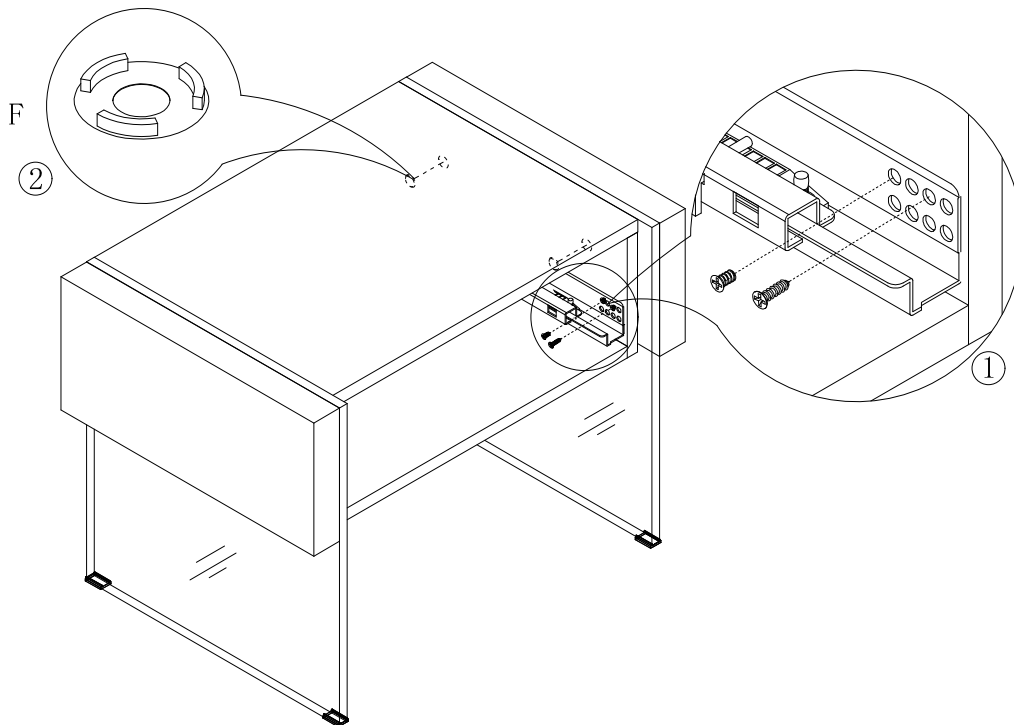


Please, unlock the safety catch to remove the drawer runners

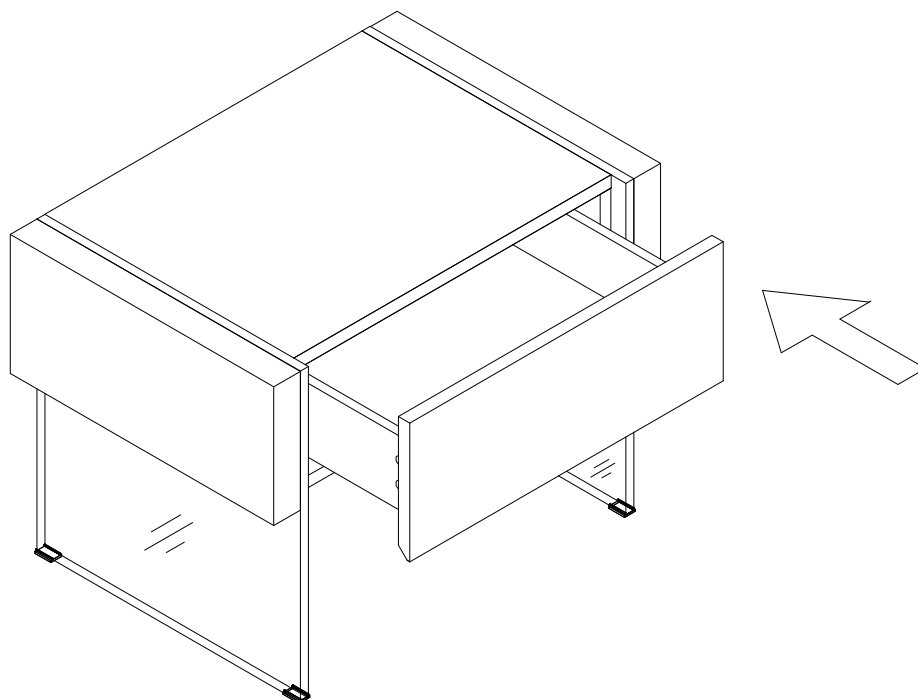
**FIG.**  
**3**



**FIG.**  
**4**



**FIG.**  
**5**



**FIG.**  
**6**

